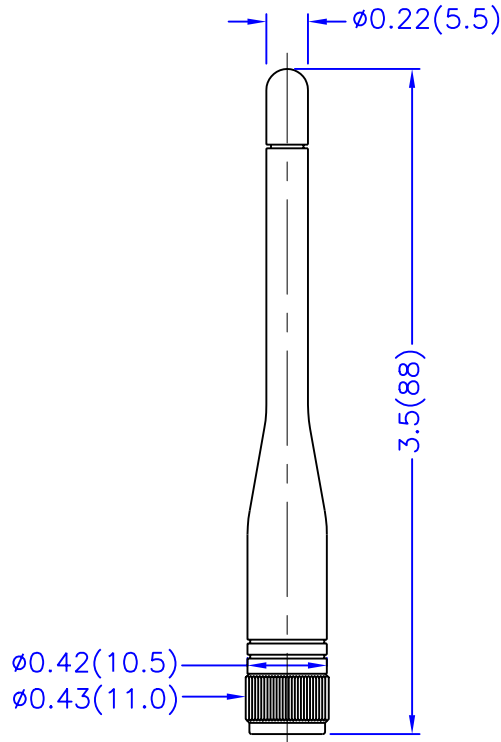


P/N S331AM-915

Alternative Connectors

- .SMA Reverse Polarity Plug(female)
P/N: S331AH-915
- .SMA Reverse Thread Plug(male)
P/N: S331AT-915



Electrical Properties:

Frequency Range: 902~928 MHz
 Impedance: 50 Ω nominal
 VSWR: <2.0:1
 Gain: 1 dBi
 Radiation: Omni
 Polarization: Vertical
 Wave: 1/4 wave

Mechanical Properties:

Connector: SMA Plug
 Material: Polyurethane-BASF(Black)
 Whip: Brass with Chrome Plating(Black)
 Operation Temp.: -20°C to +65°C
 Storage Temp.: -30°C to +75°C

TOLERANCE	TITLE	900MHz ISM Band Antenna-331 Model	DATE	SHEET
.X				1 OF 1
.XX	UNIT	DWG. NO. S331AM-915		A4
	in.(mm)			
.XXX	SCALE	NEARSON		
ANGLE	1 : 1			